

1/5/2024 9:21 AM
z:\projects\croft\lic\fbc-23-1126-fbc-submittal-nami-update\dwg\27202\crf018-series 75 fw.dwg

CROFT, LLC

SERIES 75 (XOX) HORIZONTAL SLIDING WINDOW (NON-HVHZ) (NON-IMPACT)



1800 NORTH CLARK AVE.
MAGNOLIA, MS 39652
PH.: 601-684-6121 FX: 601-783-3188

INSTALLATION NOTES:

1. SHIM AS REQUIRED TO ACHIEVE A PLUMB AND SQUARE ISNTALLATION WITH LOAD BEARING SHIM(S). MAXIMUM ALLOWABLE SHIM STACK TO BE 1/4". SHIM WHERE SPACE OF 1/16 OR GREATER OCCURS. SHIM(S) SHALL BE CONSTRUCTED OF HIGH DENSITY PLASTIC OR BETTER.
2. ONE (1) INSTALLATION ANCHOR IS REQUIRED AT EACH ANCHOR LOCATION SHOWN, UNLESS OTHERWISE STATED.
3. THE NUMBER OF INSTALLATION ANCHORS DEPICTED IS THE MINIMUM NUMBER OF ANCHORS TO BE USED FOR PRODUCT INSTALLATION.
4. INSTALL INDIVIDUAL INSTALLATION ANCHORS WITHIN A TOLERANCE OF ±1/2 INCH OF THE DEPICTED LOCATION IN THE ANCHOR LAYOUT DETAIL (I.E., WITHOUT CONSIDERATION OF TOLERANCES). TOLERANCES ARE NOT CUMULATIVE FROM ONE INSTALLATION ANCHOR TO THE NEXT.
5. **FIN FRAME:** FOR INSTALLATION INTO 2X WOOD BUCK, USE #8 WOOD SCREWS OF SUFFICIENT LENGTH TO ACHIEVE 1 1/2 INCH MINIMUM EMBEDMENT INTO WOOD SUBSTRATE.
6. **FIN FRAME:** FOR INSTALLATION THROUGH STEEL STUD USE #8 SELF-TAPPING SCREWS OF SUFFICIENT LENGTH TO ACHIEVE 3 THREADS MINIMUM PENETRATION BEYOND STEEL STRUCTURE.
7. MINIMUM EMBEDMENT AND EDGE DISTANCE EXCLUDE WALL FINISHES, INCLUDING BUT NOT LIMITED TO STUCCO, FOAM, BRICK VENEER, AND SIDING.
8. INSTALLATION ANCHORS AND ASSOCIATED HARDWARE MUST BE MADE OF CORROSION RESISTANT MATERIAL OR HAVE A CORROSION RESISTANT COATING.
9. FOR HOLLOW BLOCK AND GROUT FILLED BLOCK, DO NOT INSTALL INSTALLATION ANCHORS INTO MORTAR JOINTS. EDGE DISTANCE IS MEASURED FROM FREE EDGE OF BLOCK OR EDGE OF MORTAR JOINT INTO FACE SHELL OF BLOCK.
10. INSTALLATION ANCHORS SHALL BE INSTALLED IN ACCORDANCE WITH ANCHOR MANUFACTURER'S INSTALLATION INSTRUCTIONS, AND ANCHORS SHALL NOT BE USED IN SUBSTRATES WITH STRENGTHS LESS THAN THE MINIMUM STRENGTH SPECIFIED BY THE ANCHOR MANUFACTURER.
11. INSTALLATION ANCHOR CAPACITIES FOR PRODUCTS HEREIN ARE BASED ON SUBSTRATE MATERIALS WITH THE FOLLOWING PROPERTIES:
 - A. WOOD - MINIMUM SPECIFIC GRAVITY OF 0.55.
 - B. STEEL - MINIMUM YIELD STRENGTH OF 33 KSI. MINIMUM WALL THICKNESS OF 33 MILS. (20 GAUGE)

GENERAL NOTES:

1. THE PRODUCT SHOWN HEREIN IS DESIGNED AND MANUFACTURED TO COMPLY WITH THE CURRENT FLORIDA BUILDING CODE (FBC) EXCLUDING HVHZ AND HAS BEEN EVALUATED ACCORDING TO THE FOLLOWING:
 - AAMA/WDMA/CSA 101/I.S.2/A440-08
2. ADEQUACY OF THE EXISTING STRUCTURAL CONCRETE/MASONRY, 2X AND METAL STUD FRAMING AS A MAIN WIND FORCE RESISTING SYSTEM CAPABLE OF WITHSTANDING AND TRANSFERRING APPLIED PRODUCT LOADS TO THE FOUNDATION IS THE RESPONSIBILITY OF THE ENGINEER OR ARCHITECT OF RECORD FOR THE PROJECT OF INSTALLATION.
3. 1X AND 2X BUCKS (WHEN USED) SHALL BE DESIGNED AND ANCHORED TO PROPERLY TRANSFER ALL LOADS TO THE STRUCTURE. BUCK DESIGN AND INSTALLATION IS THE RESPONSIBILITY OF THE ENGINEER OR ARCHITECT OF RECORD FOR THE PROJECT OF INSTALLATION.
4. THE INSTALLATION DETAILS DESCRIBED HEREIN ARE GENERIC AND MAY NOT REFLECT ACTUAL CONDITIONS FOR A SPECIFIC SITE. IF SITE CONDITIONS CAUSE INSTALLATION TO DEVIATE FROM THE REQUIREMENTS DETAILED HEREIN, A LICENSED ENGINEER OR ARCHITECT SHALL PREPARE SITE SPECIFIC DOCUMENTS FOR USE WITH THIS DOCUMENT.
5. APPROVED IMPACT PROTECTIVE SYSTEM IS REQUIRED TO PROTECT THIS PRODUCT IN AREAS REQUIRING IMPACT RESISTANCE.
6. WINDOW FRAME MATERIAL: 6063-T5 ALUMINUM
7. GLASS SHALL MEET REQUIREMENTS OF ASTM E1300 GLASS CHARTS. SEE SHEET 4 FOR GLAZING DETAILS.
8. DESIGNATIONS "X" AND "O" STAND FOR THE FOLLOWING:
 - X. OPERABLE PANEL
 - O. FIXED PANEL

TABLE OF CONTENTS	
SHEET	SHEET DESCRIPTION
1	GENERAL & INSTALLATION NOTES
2	ELEVATIONS & ANCHOR LAYOUTS
3	INSTALLATION DETAILS - FIN FRAME
4	INSTALLATION & GLAZING DETAILS - FIN FRAME
5	COMPONENTS & BILL OF MATERIALS

FRAME TYPE	OVERALL SIZE		DP RATING	MISSILE IMPACT RATING
	WIDTH	HEIGHT		
FIN	120"	60"	+/- 20 PSF	NON-IMPACT

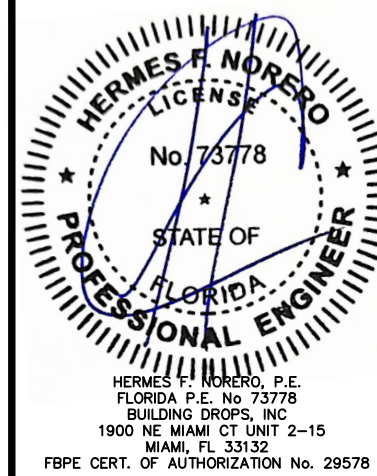
TITLE: SERIES 75 (XOX) HORIZONTAL SLIDING WINDOW (NON-HVHZ) (NON-IMPACT)
GENERAL & INSTALLATION NOTES

PREPARED BY: BUILDING DROPS, INC.
1900 NE MIAMI CT UNIT 2-15
MIAMI, FL 33132
PH: (954) 399-8478
FAX: (954) 744-4738
WEB: www.buildingdrops.com



REMARKS	BY	DATE

THIS DOCUMENT IS THE PROPERTY OF BUILDING DROPS, INC. AND SHALL NOT BE REPRODUCED IN WHOLE OR PART WITHOUT WRITTEN CONSENT OF BUILDING DROPS, INC. ALTERATIONS, ADDITIONS, HIGHLIGHTING, OR OTHER MARKINGS TO THIS DOCUMENT ARE NOT PERMITTED AND INVALIDATE OUR CERTIFICATION.



HERMES F. NORERO, P.E.
FLORIDA P.E. No. 73778
BUILDING DROPS, INC.
1900 NE MIAMI CT UNIT 2-15
MIAMI, FL 33132
FBPE CERT. OF AUTHORIZATION No. 29578

FL #: **FL27202**

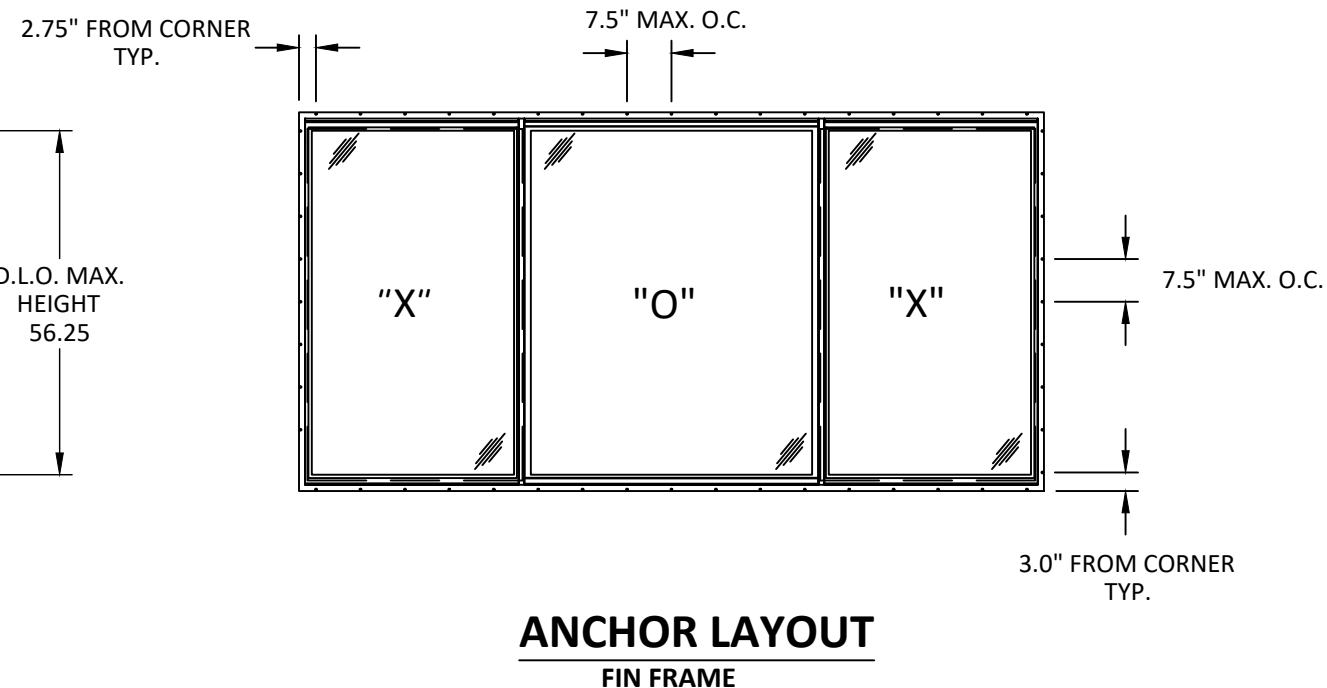
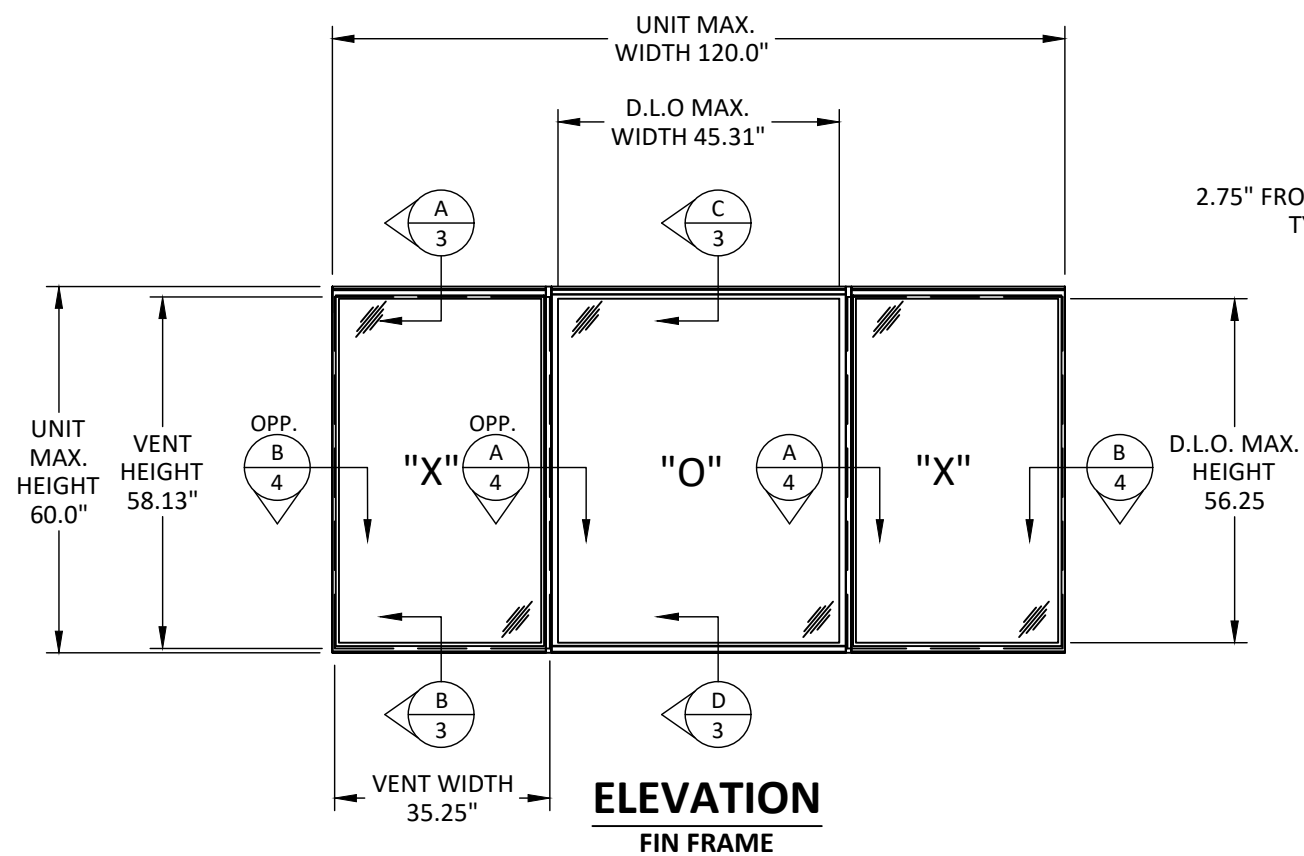
DATE: **02.19.18**

DWG. BY: RV	CHK. BY: HFN
--------------------	---------------------

SCALE: **NTS**

DWG. #: **CRF018**

1/5/2024 9:21 AM
 z:\projects\crof\crof\1126-fbc-submittal-nami-update\dwg\127202\crf018-series 75 fw.dwg



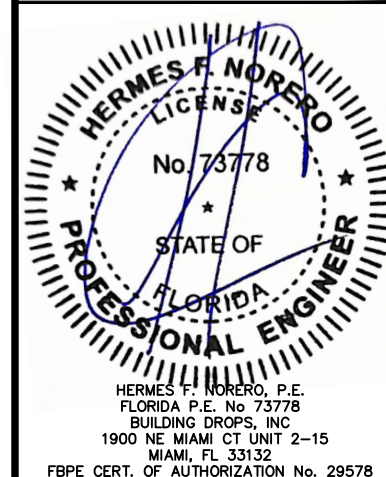
1800 NORTH CLARK AVE.
 MAGNOLIA, MS 39652
 PH.: 601-684-6121 FX: 601-783-3188

TITLE: SERIES 75 (XOX) HORIZONTAL SLIDING WINDOW (NON-HVHZ) (NON-IMPACT)
 ELEVATIONS & ANCHOR LAYOUTS

PREPARED BY: BUILDING DROPS, INC.
 1900 NE MIAMI CT UNIT 2-15
 MIAMI, FL 33132
 PH: (954)399-8478
 FAX: (954)744-4738
 WEB: www.buildingdrops.com

REMARKS	BY	DATE

THIS DOCUMENT IS THE PROPERTY OF BUILDING DROPS, INC. AND SHALL NOT BE REPRODUCED IN WHOLE OR PART WITHOUT WRITTEN CONSENT OF BUILDING DROPS, INC. ALTERATIONS, ADDITIONS, HIGHLIGHTING, OR OTHER MARKINGS TO THIS DOCUMENT ARE NOT PERMITTED AND INVALIDATE OUR CERTIFICATION.



FL #:
FL27202

DATE: **02.19.18**

DWG. BY: **RV** CHK. BY: **HFN**

SCALE: **NTS**

DWG. #: **CRF018**

SHEET

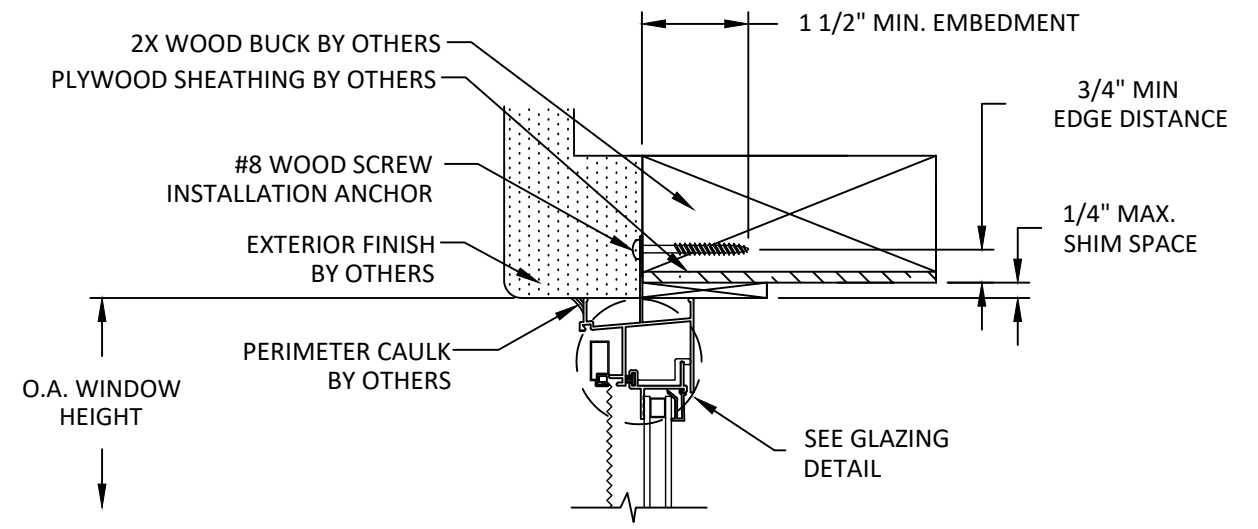
2

1/5/2024 9:21 AM
 z:\projects\croft\lbc\lbc-23-1126-fbc-submittal-nami-update\dwg\27202\crf018-series 75 fw.dwg

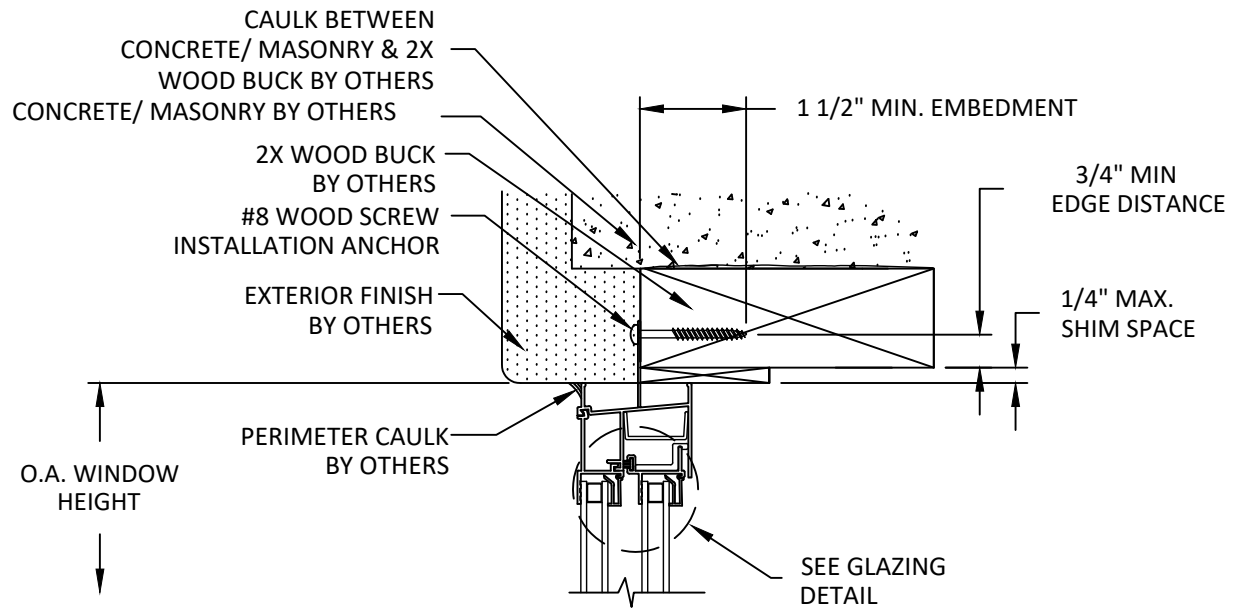


1800 NORTH CLARK AVE.
 MAGNOLIA, MS 39652
 PH: 601-684-6121 FX: 601-783-3188

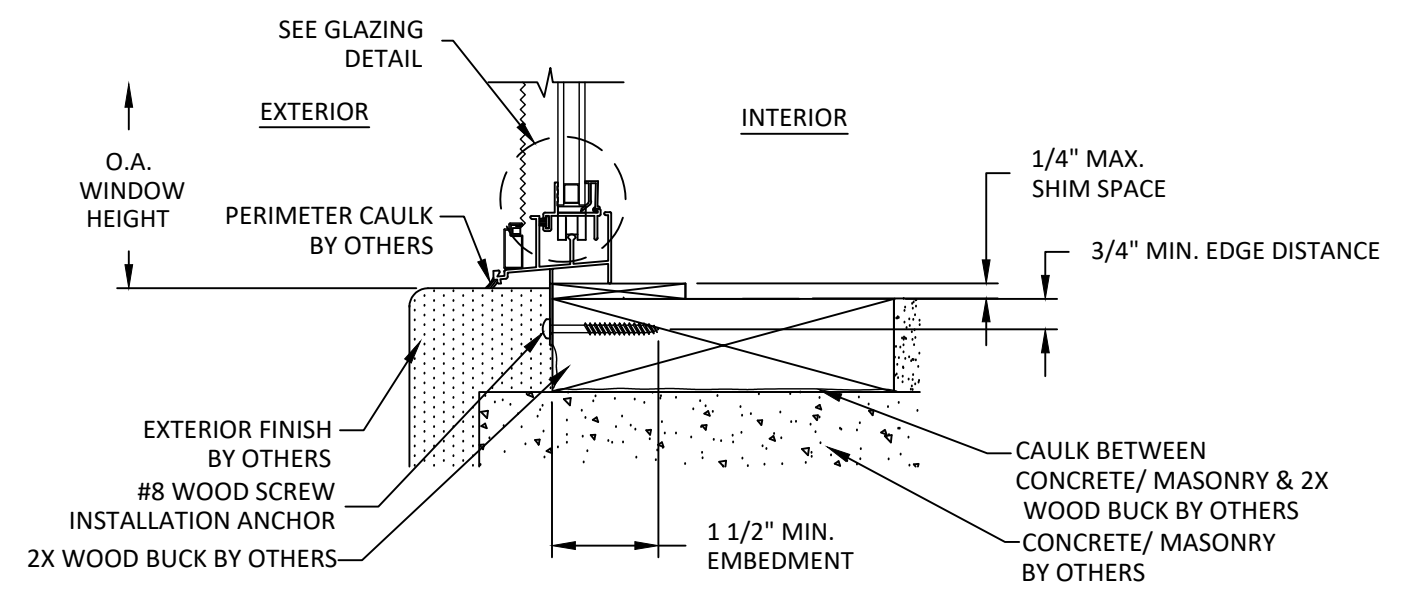
TITLE: **SERIES 75 (XOX) HORIZONTAL SLIDING WINDOW (NON-HVHZ) (NON-IMPACT)**
 INSTALLATION FLANGE FRAME
 PREPARED BY: **BUILDING DROPS, INC.**
 1900 NE MIAMI CT UNIT 2-15
 MIAMI, FL 33132
 PH: (954) 399-8478
 FAX: (954) 744-4738
 WEB: www.buildingdrops.com



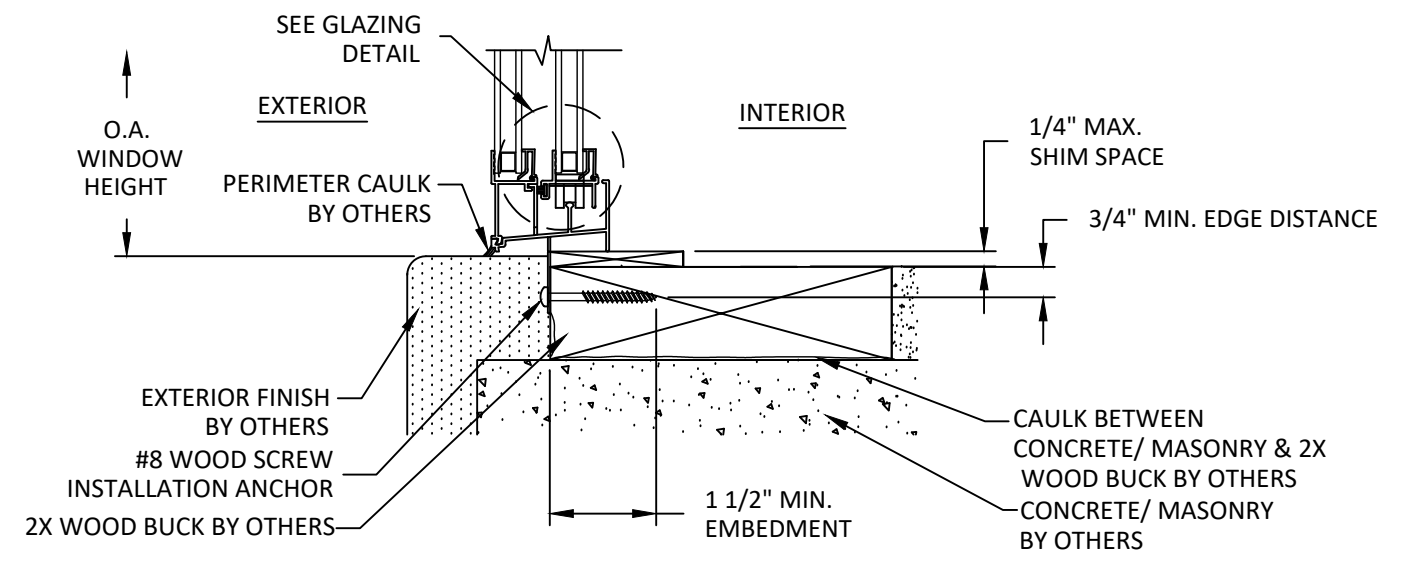
A
3
VERTICAL SECTION
 HEAD - 2X WOOD BUCK
 FIN FRAME



C
3
VERTICAL SECTION
 HEAD - 2X WOOD BUCK
 FIN FRAME



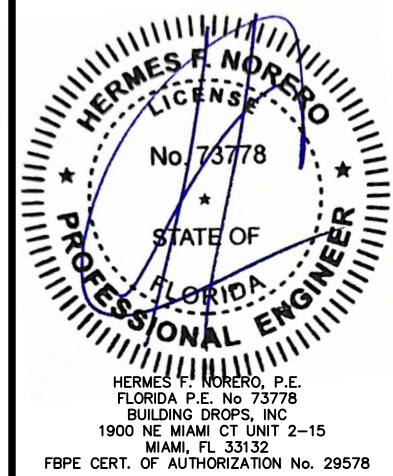
B
3
VERTICAL SECTION
 SILL - 2X WOOD BUCK
 FIN FRAME



D
3
VERTICAL SECTION
 SILL - 2X WOOD BUCK
 FIN FRAME

REMARKS	BY	DATE

THIS DOCUMENT IS THE PROPERTY OF BUILDING DROPS, INC. AND SHALL NOT BE REPRODUCED IN WHOLE OR PART WITHOUT WRITTEN CONSENT OF BUILDING DROPS, INC. ALTERATIONS, ADDITIONS, HIGHLIGHTING, OR OTHER MARKINGS TO THIS DOCUMENT ARE NOT PERMITTED AND INVALIDATE OUR CERTIFICATION.

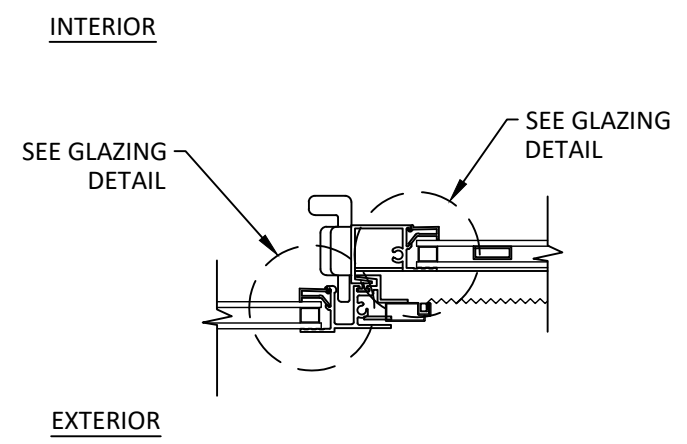


HERMES F. NORERO, P.E.
 FLORIDA P.E. No. 73778
 BUILDING DROPS, INC.
 1900 NE MIAMI CT UNIT 2-15
 MIAMI, FL 33132
 FBPE CERT. OF AUTHORIZATION No. 29578

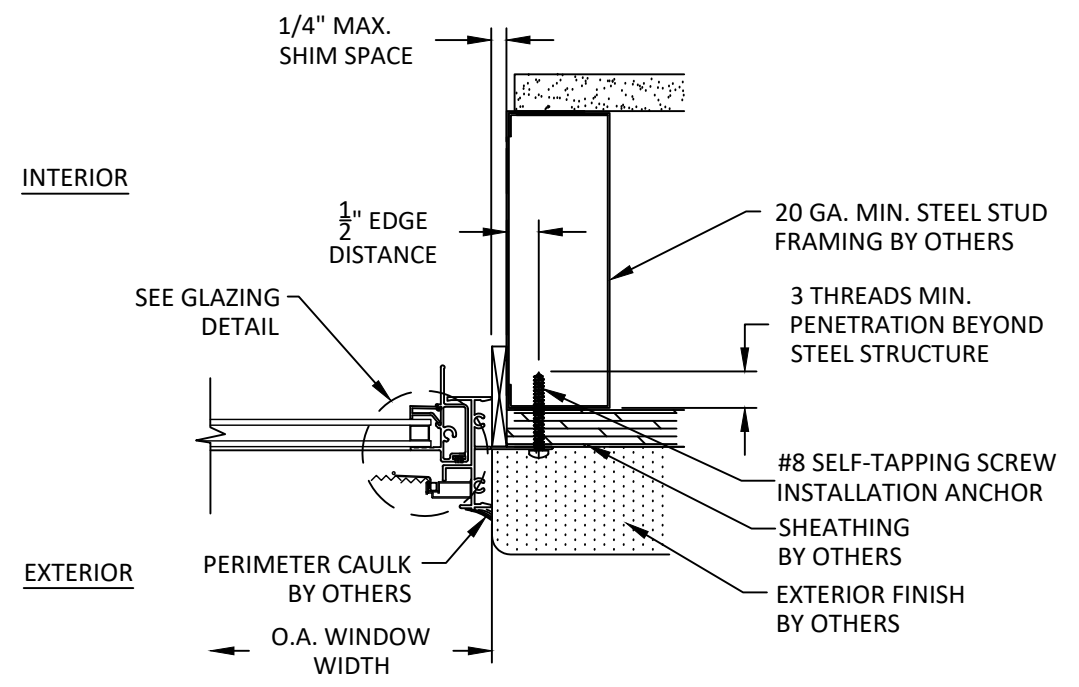
FL #:	FL27202
DATE:	02.19.18
DWG. BY:	RV
CHK. BY:	HFN
SCALE:	NTS
DWG. #:	CRF018

SHEET
3
 OF 5

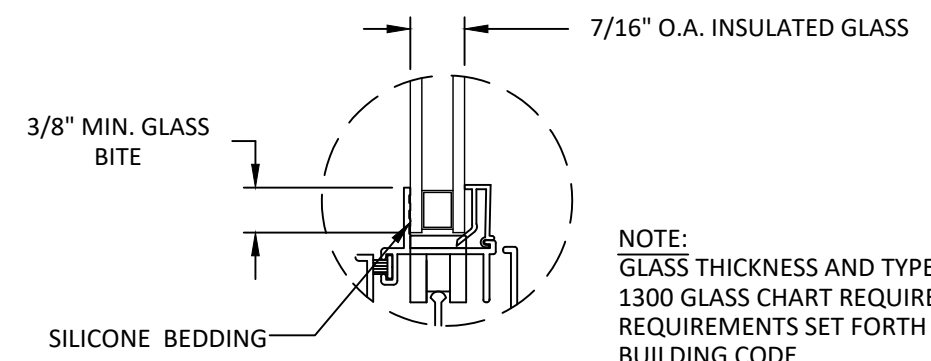
1/5/2024 9:21 AM
 z:\projects\crof\lic\trc-23-1126 - fbc submittal - nami update\dwg\027202\crf018 - series 75 fw.dwg



A
4
VERTICAL SECTION
 MEETING STILES



B
4
HORIZONTAL SECTION
 JAMB - STEEL STUD FRAME
 FIN FRAME



NOTE:
 GLASS THICKNESS AND TYPE MAY VARY PER ASTM E 1300 GLASS CHART REQUIREMENTS AND REQUIREMENTS SET FORTH IN THE CURRENT FLORIDA BUILDING CODE.

CROFT
 Est. 1920

1800 NORTH CLARK AVE.
 MAGNOLIA, MS 39652
 PH.: 601-684-6121 FX: 601-783-3188

TITLE: SERIES 75 (XOX) HORIZONTAL SLIDING WINDOW (NON-HVHZ) (NON-IMPACT) INSTALLATION FLANGE FRAME

PREPARED BY: BUILDING DROPS, INC.
 1900 NE MIAMI CT UNIT 2-15
 MIAMI, FL 33132
 PH: (954) 399-8478
 FAX: (954) 744-4738
 WEB: www.buildingdrops.com

BD
 BUILDING DROPS

REMARKS	BY	DATE

THIS DOCUMENT IS THE PROPERTY OF BUILDING DROPS, INC. AND SHALL NOT BE REPRODUCED IN WHOLE OR PART WITHOUT WRITTEN CONSENT OF BUILDING DROPS, INC. ALTERATIONS, ADDITIONS, HIGHLIGHTING, OR OTHER MARKINGS TO THIS DOCUMENT ARE NOT PERMITTED AND INVALIDATE OUR CERTIFICATION.

HERMES F. NORERO
 LICENSE
 No. 73778
 STATE OF
 FLORIDA
PROFESSIONAL ENGINEER

HERMES F. NORERO, P.E.
 FLORIDA P.E. No. 73778
 BUILDING DROPS, INC.
 1900 NE MIAMI CT UNIT 2-15
 MIAMI, FL 33132
 FBPE CERT. OF AUTHORIZATION No. 29578

FL #: FL27202

DATE: 02.19.18

DWG. BY: RV	CHK. BY: HFN
-----------------------	------------------------

SCALE: NTS

DWG. #: CRF018

SHEET

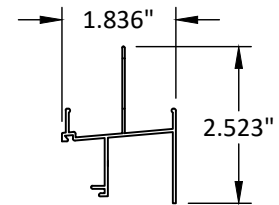
4

OF 5

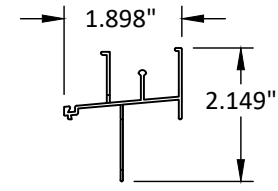
1/5/2024 9:21 AM
 z:\projects\croft\lbc\lbc-23-1126-fbc-submittal-nami-update\dwg\127202\crf018-series 75 fw.dwg

BILL OF MATERIALS			
ITEM NO.	DESCRIPTION	MATERIAL	MANUFACTURER
1	FRAME HEAD	6063-T5 ALUMINUM	CROFT, LLC
2	FRAME SILL	6063-T5 ALUMINUM	CROFT, LLC
3	FRAME JAMB	6063-T5 ALUMINUM	CROFT, LLC
4	FIXED FRAME JAMB	6063-T5 ALUMINUM	CROFT, LLC
5	MEETING RAIL	6063-T5 ALUMINUM	CROFT, LLC
6	FIXED INSERT HEAD & SILL	6063-T5 ALUMINUM	CROFT, LLC
7	VENT HEAD & SILL	6063-T5 ALUMINUM	CROFT, LLC
8	VENT LATCH JAMB	6063-T5 ALUMINUM	CROFT, LLC
9	VENT JAMB	6063-T5 ALUMINUM	CROFT, LLC
10	SCREEN HEAD, SILL & JAMB	6063-T5 ALUMINUM	CROFT, LLC
11	HORIZONTAL & VERTICAL GLAZING BEAD	6063-T5 ALUMINUM	CROFT, LLC
12	ANTI LIFTOUT DEVICE	6063-T5 ALUMINUM	CROFT, LLC
13	FRAME SILL	6063-T5 ALUMINUM	CROFT, LLC
14	VENT GUIDE	6063-T5 ALUMINUM	CROFT, LLC

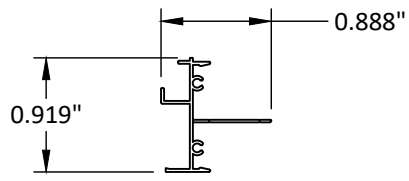
1 FRAME HEAD
 6063-T5 AL.
 TYPICAL WALL THICKNESS: .051"



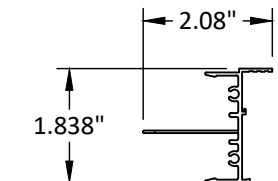
2 FRAME SILL
 6063-T5 AL.
 TYPICAL WALL THICKNESS: .05"



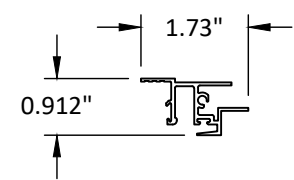
3 FRAME JAMB
 6063-T5 AL.
 TYPICAL WALL THICKNESS: .05"



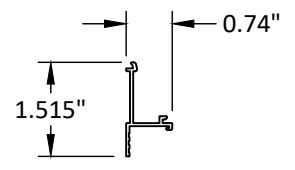
4 FIXED FRAME JAMB
 6063-T5 AL.
 TYPICAL WALL THICKNESS: .062"



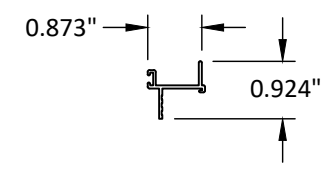
5 MEETING RAIL
 6063-T5 AL.
 TYPICAL WALL THICKNESS: .062"



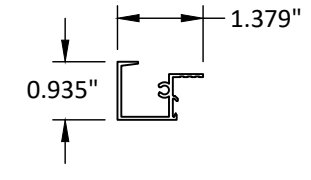
6 FIXED INSERT HEAD & SILL
 6063-T5 AL.
 TYPICAL WALL THICKNESS: .05"



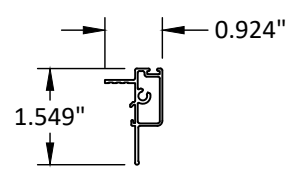
7 VENT HEAD & SILL
 6063-T5 AL.
 TYPICAL WALL THICKNESS: .05"



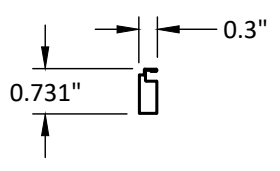
8 VENT LATCH JAMB
 6063-T5 AL.
 TYPICAL WALL THICKNESS: .062"



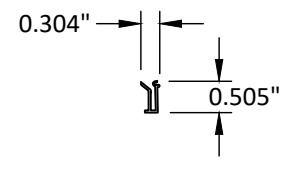
9 VENT JAMB
 6063-T5 AL.
 TYPICAL WALL THICKNESS: .04"



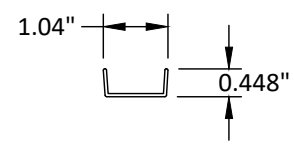
10 SCREEN HEAD, SILL & JAMB
 6063-T5 AL.
 TYPICAL WALL THICKNESS: .018"



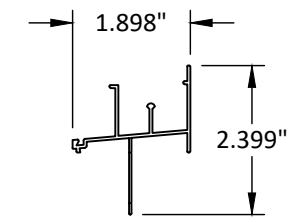
11 HORIZONTAL & VERTICAL GLAZING BEAD
 6063-T5 AL.
 TYPICAL WALL THICKNESS: .093"



12 ANTI LIFTOUT DEVICE
 6063-T5 AL.
 TYPICAL WALL THICKNESS: .05"

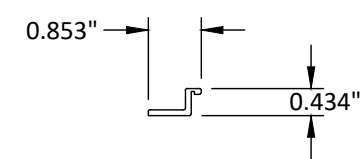


13 FRAME SILL
 6063-T5 AL.
 TYPICAL WALL THICKNESS: .05"



TO BE USED FOR HIGH PERFORMANCE UNITS ONLY.

14 VENT GUIDE
 6063-T5 AL.
 TYPICAL WALL THICKNESS: .05"



CROFT
 Est. 1920

1800 NORTH CLARK AVE.
 MAGNOLIA, MS 39652
 PH.: 601-684-6121 FX: 601-783-3188

TITLE: SERIES 75 (XOX) HORIZONTAL SLIDING WINDOW (NON-HVHZ) (NON-IMPACT) COMPONENTS & BILL OF MATERIALS

PREPARED BY: BUILDING DROPS, INC.
 1900 NE MIAMI CT UNIT 2-15
 MIAMI, FL 33132
 PH: (954) 399-8478
 FAX: (954) 744-4738
 WEB: www.buildingdrops.com

BD
 BUILDING DROPS

REMARKS	BY	DATE

THIS DOCUMENT IS THE PROPERTY OF BUILDING DROPS, INC. AND SHALL NOT BE REPRODUCED IN WHOLE OR PART WITHOUT WRITTEN CONSENT OF BUILDING DROPS, INC. ALTERATIONS, ADDITIONS, HIGHLIGHTING, OR OTHER MARKINGS TO THIS DOCUMENT ARE NOT PERMITTED AND INVALIDATE OUR CERTIFICATION.

HERMES F. NORERO
 LICENSE
 No. 73778
 STATE OF
 FLORIDA
 PROFESSIONAL ENGINEER

HERMES F. NORERO, P.E.
 FLORIDA P.E. No. 73778
 BUILDING DROPS, INC.
 1900 NE MIAMI CT UNIT 2-15
 MIAMI, FL 33132
 FBPE CERT. OF AUTHORIZATION No. 29578

FL #: **FL27202**

DATE: **02.19.18**

DWG. BY: RV	CHK. BY: HFN
-----------------------	------------------------

SCALE: **NTS**

DWG. #: **CRF018**

SHEET

5

OF 5